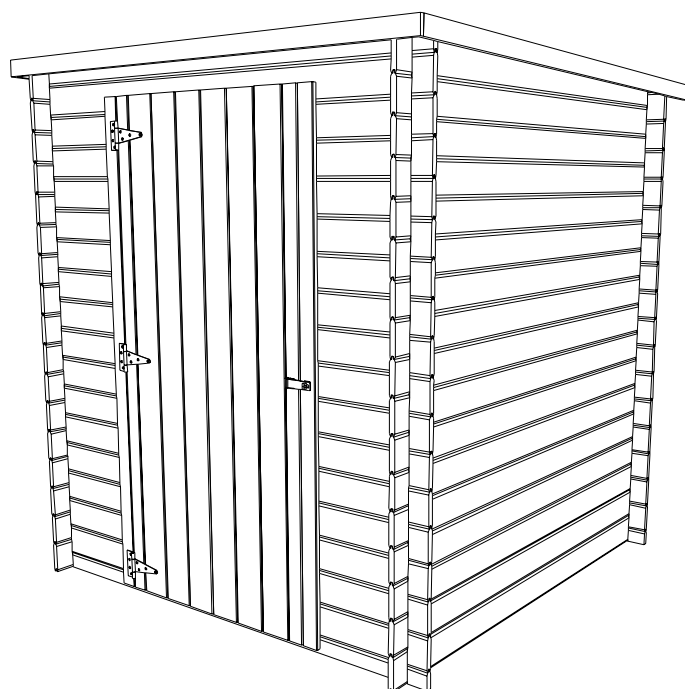


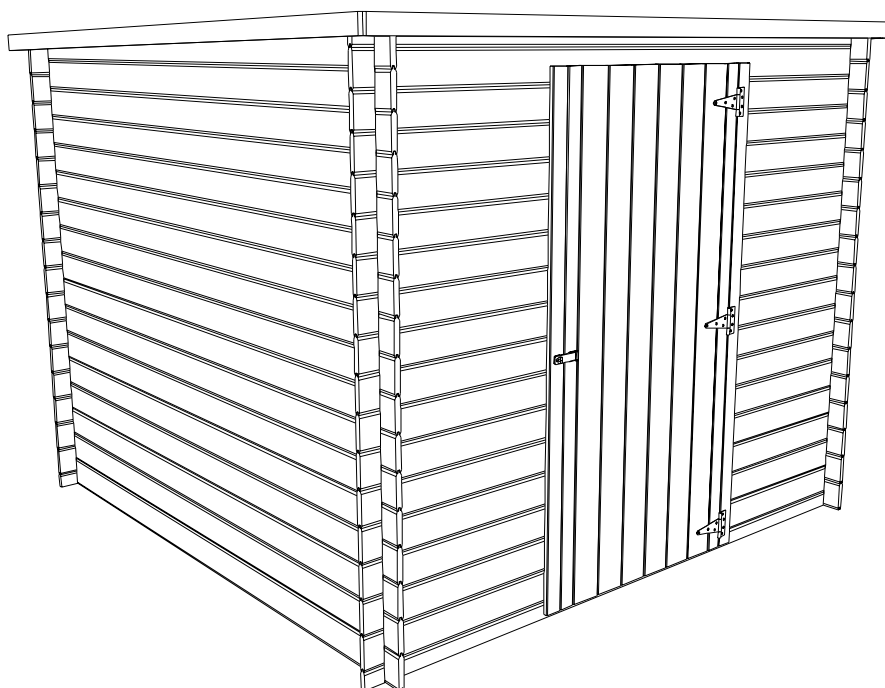
GENERAL ASSEMBLY INSTRUCTIONS FOR LOG CABINS WITH PITCHED AND STEEL ROOF

This brochure has been compiled for all our 19mm log cabins with a pitched and steel roof.
The drawings may differ from the log cabin you have purchased.



GARDENAS

TIMBER GARDEN CONSTRUCTIONS



GENERAL ASSEMBLY INSTRUCTIONS FOR 19MM LOG CABIN WITH PITCHED AND STEEL ROOF

Congratulations on the purchase of your log cabin.

If you read the assembly instructions carefully, you will enjoy your purchase for many years to come.

IMPORTANT!

Before you start assembly, we would like to give you some important information that deserves your attention.

A 1 **TREATMENT** Have you purchased a log cabin made from an untreated natural product? This type of wood still needs to be treated to ensure a long lifespan. It is best to seek guidance from a specialist in the field when choosing your treatment product and maintaining your log cabin. Use only products that penetrate the wood and protect it against moisture, wind and weather, as well as against insects and fungi. Do not use products that are so viscous that they prevent a good fit between the tongue and groove and at the corner joints. You only have the opportunity to treat the tongue and groove **before** assembly. It is very important **to treat all parts on all sides**. You must therefore also treat **the inside** of the log cabin.

A 2 **TREATMENT** Have you purchased a log cabin that has been pressure-impregnated? Gardenas wax impregnation significantly extends the lifespan of your product and provides **temporary** protection against moisture. After the first summer season, you will need to apply an extra protective layer of stain or other paint. This will prevent the wood from splitting and warping. It is best to seek advice from a specialist when choosing your treatment product and for the maintenance of your log cabin. Use only products that penetrate the wood and protect it from moisture. Pressure impregnation itself protects the log cabin against rot, mould and insects. The treatment product therefore only needs to be water-repellent and suitable for outdoor use (= UV-resistant).

B **FOUNDATION** It is advisable to install a **waterproof** concrete base. It is of the utmost importance that your log cabin is level and remains so. Bear in mind that if your structure is not level properly after installation, this may result in cracks and deformations in the log cabin, amongst other issues. Ensure that ground moisture and other moisture cannot penetrate the wood by providing adequate ventilation for the log cabin and treating **the interior** against moisture. Seal the joint between the log cabin and its base with silicone (not supplied). Anchor all walls to the base (e.g. using L-brackets, not included) to protect against stormy weather.

C **UNPACKING** Unpack the parts for your log cabin from their packaging two days before assembly, but keep them sheltered from the rain. This allows the wood to acclimatise to the humidity. Now carry out a full check using the enclosed parts list. Complaints regarding materials will not be accepted if the parts have been painted. Complaints must reach us no later than 8 days after delivery.

D Wood is a natural product. This means that slight variations may occur. What are **acceptable** variations?

- Knots,
- Fallen knots no larger than a thumb,
- Fallen knots or slight damage to the edges (tongue and groove) provided that coverage is guaranteed during assembly
- Discolouration in the wood,
- Straight cracks that do not split the log, splitting cracks no longer than 12 cm,
- Resin pockets of up to 5 cm,
- Wood that is slightly bowed, if assembly remains possible.

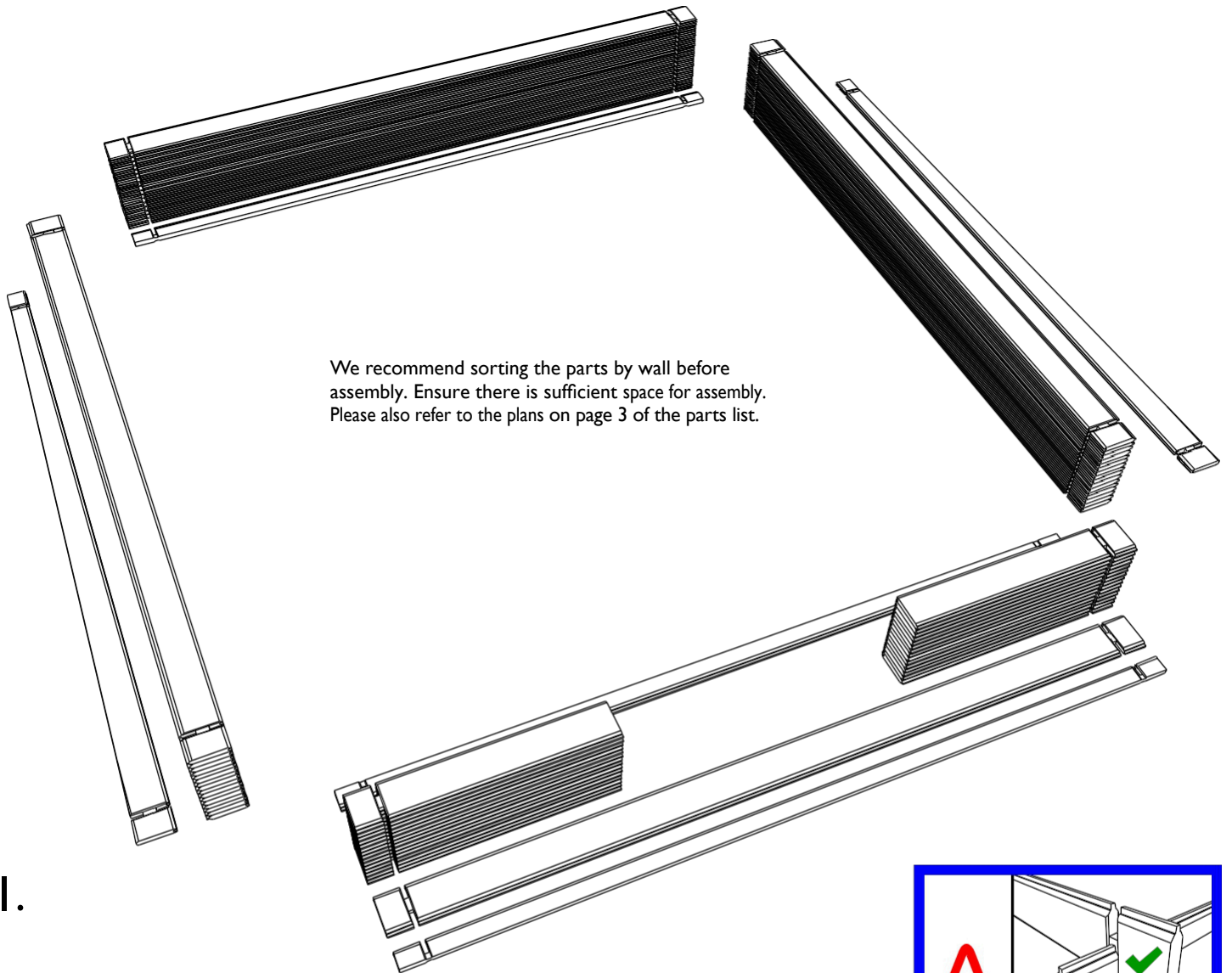
E Ensure you **anchor** your storage unit to its base (e.g. L-bracket, not included).

F To prevent splitting, we recommend pre-drilling with a drill bit smaller than the diameter of the screw.

G Has a part been damaged during assembly, or are you having trouble figuring it out? Our after-sales service is at your disposal:

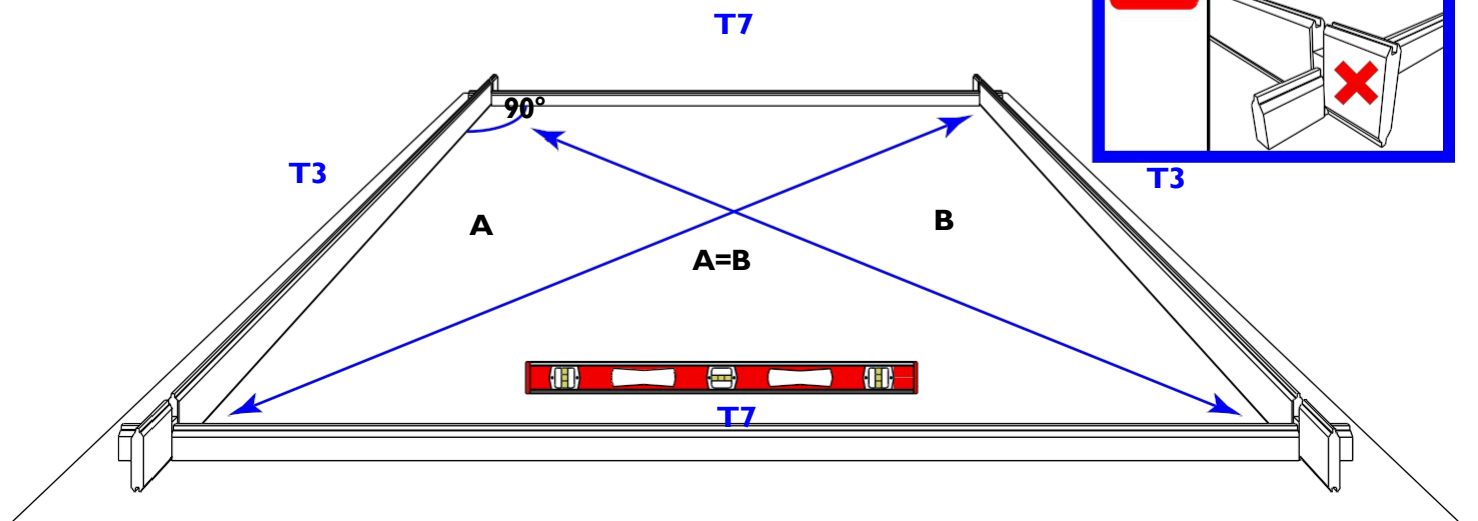
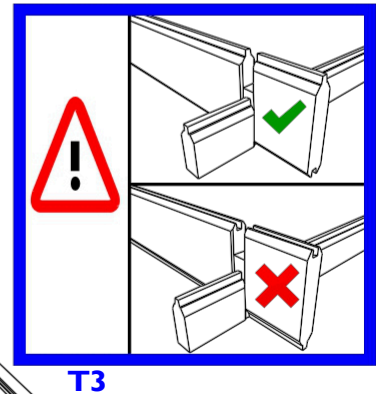
- during office hours by telephone: +32 (0)52 21 95 71
- by fax: +32 (0)52 22 09 03 or
- by email sav@gardenas.be
- If you notice any damage to the parcel, please let us know within 48 hours.

Once you have checked the package using the accompanying parts list, you can start assembly.
What do you need? A saw, a try-square, a piece of auxiliary wood, a spirit level, a screwdriver (preferably battery-powered or electric), 2 ladders, a rubber mallet, a drill, silicone. At least 2 adults are required for assembly.
Keep children and pets away during assembly.

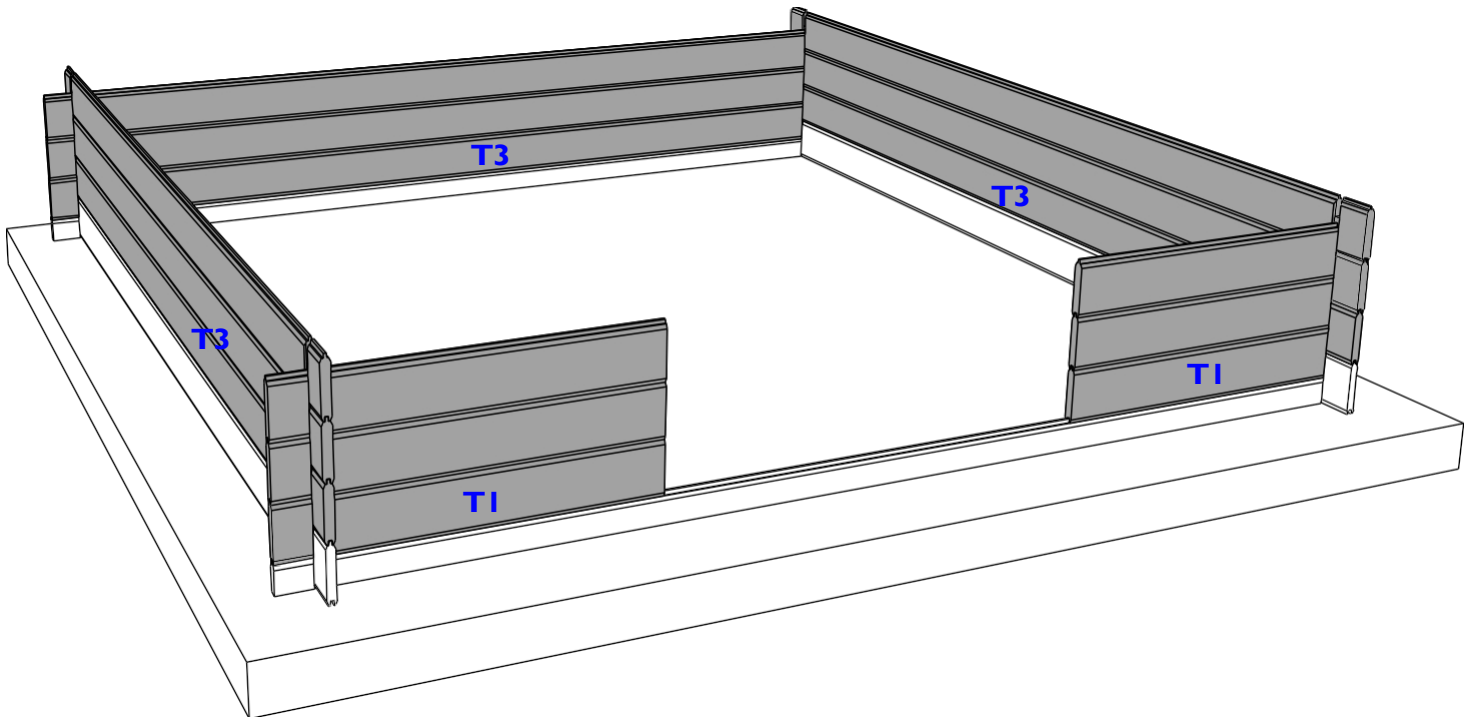
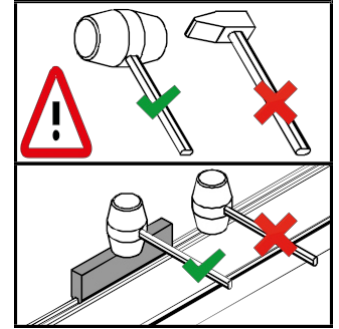


We recommend sorting the parts by wall before assembly. Ensure there is sufficient space for assembly. Please also refer to the plans on page 3 of the parts list.

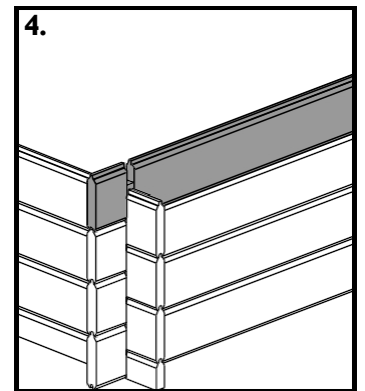
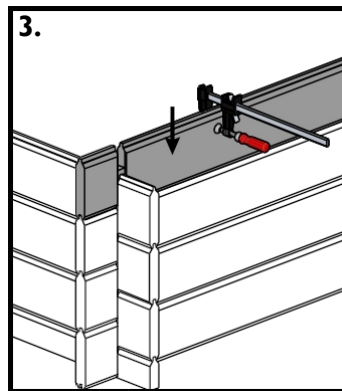
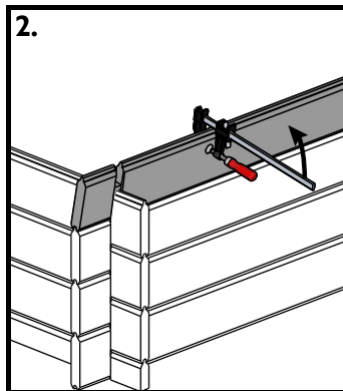
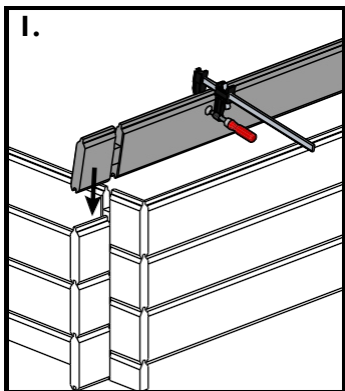
1.



2. For the rest of the assembly, please also refer to the wall plans in the parts list.
To keep everything square, you should anchor **each** bottom log to the base using angle brackets and concrete plugs (not included). You can also use the Gardena storm bracing system, which is available from our distributors.

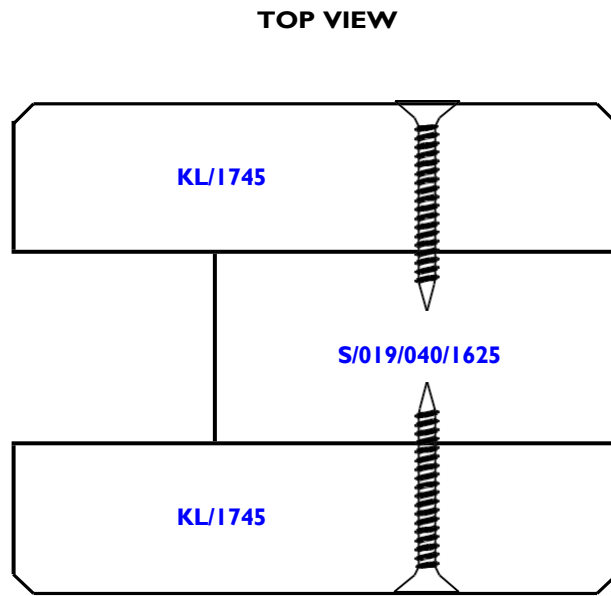
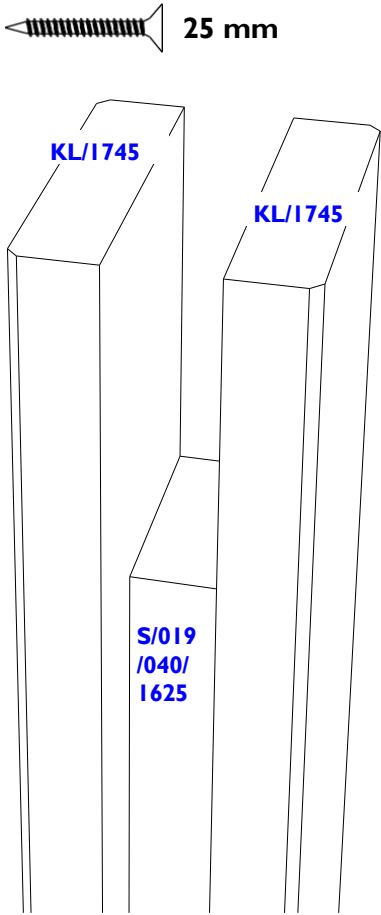


If a warped/crooked log does not fit:

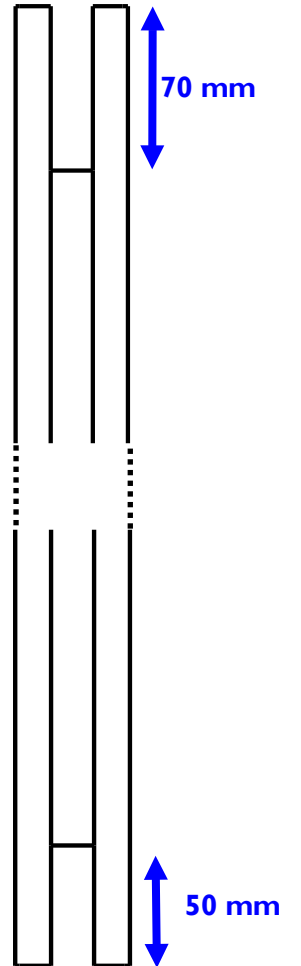


3.

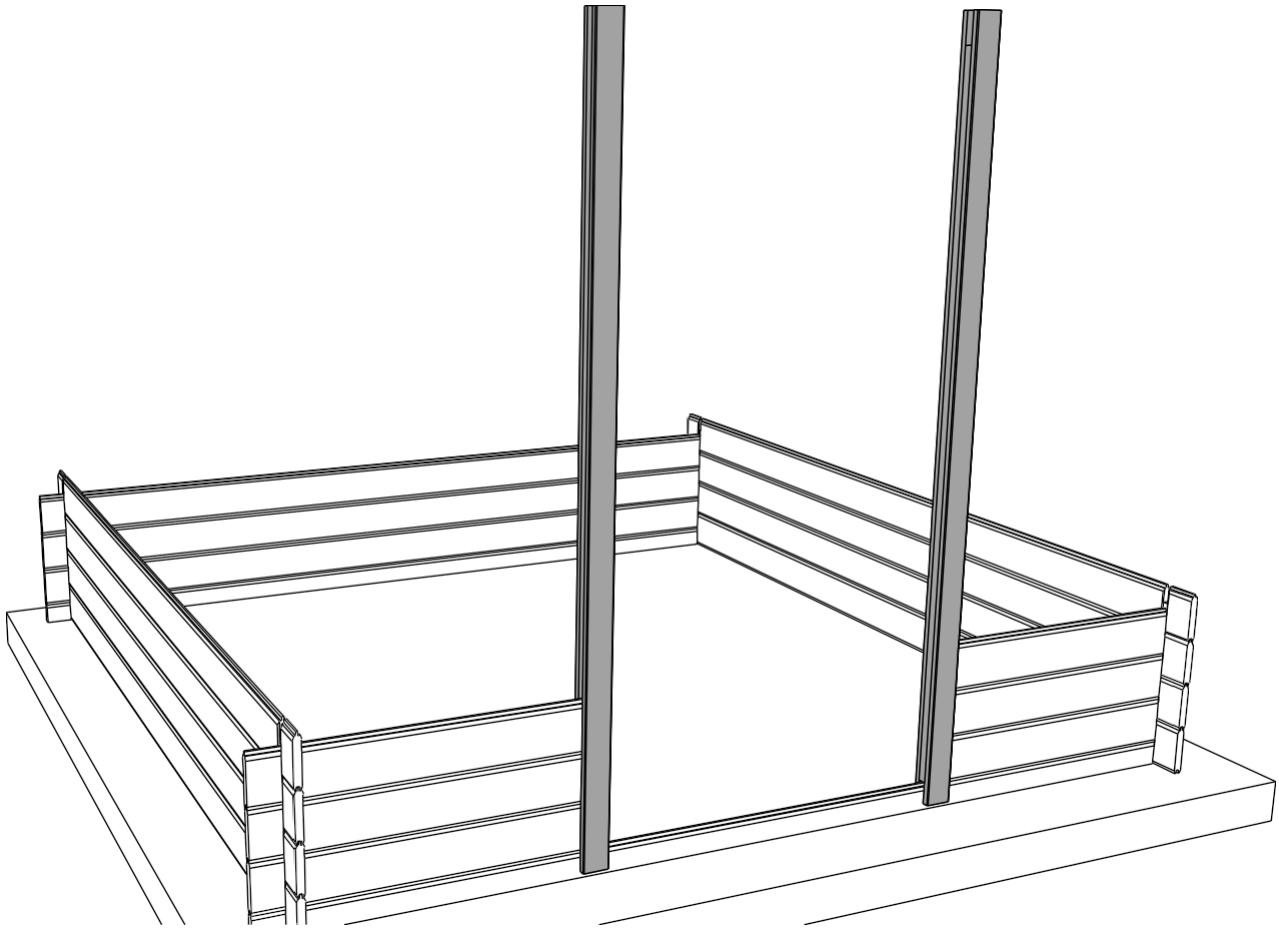
Now assemble the two door jambs for the door frame to form a U-shape and secure them with four screws on each side.



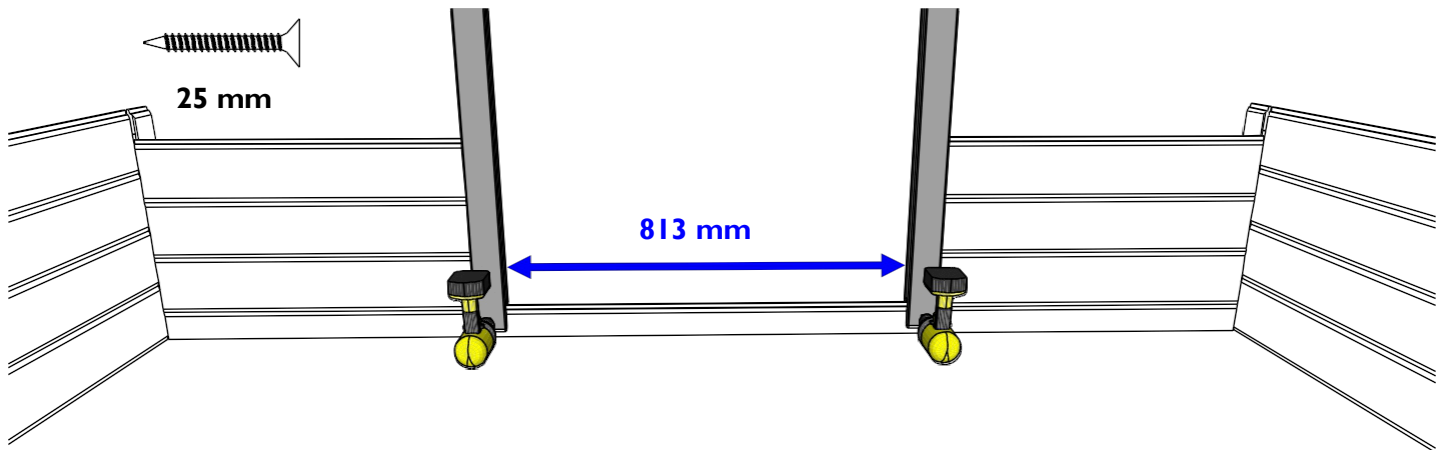
SIDE VIEW



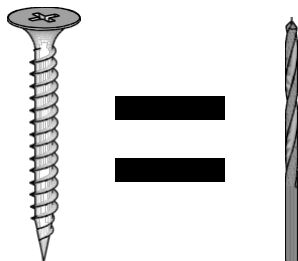
4.



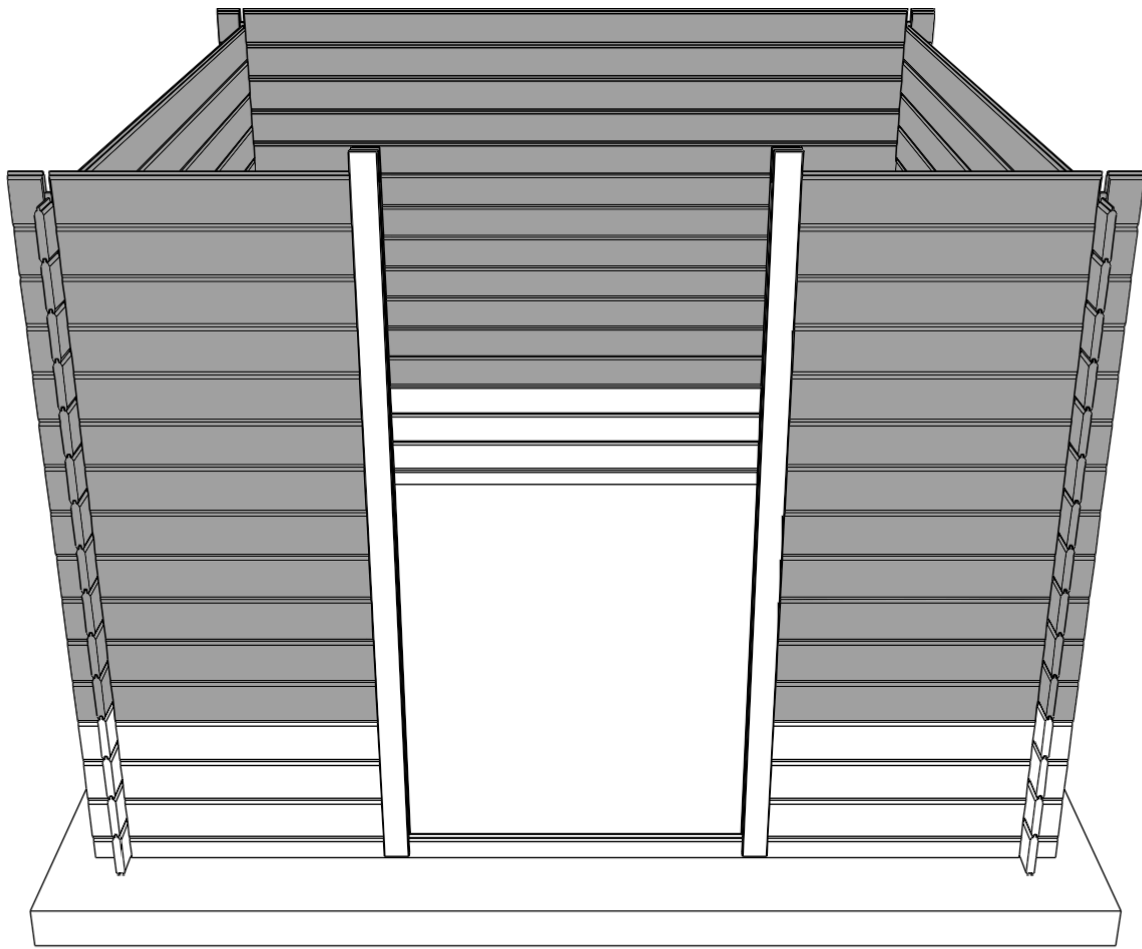
Lower the door jambs into the opening. **Secure the door jambs to the log cabin only at the bottom using a screw; never screw into the log cabin itself at the top.** It is best to finish the door once the log cabin has been fully assembled.



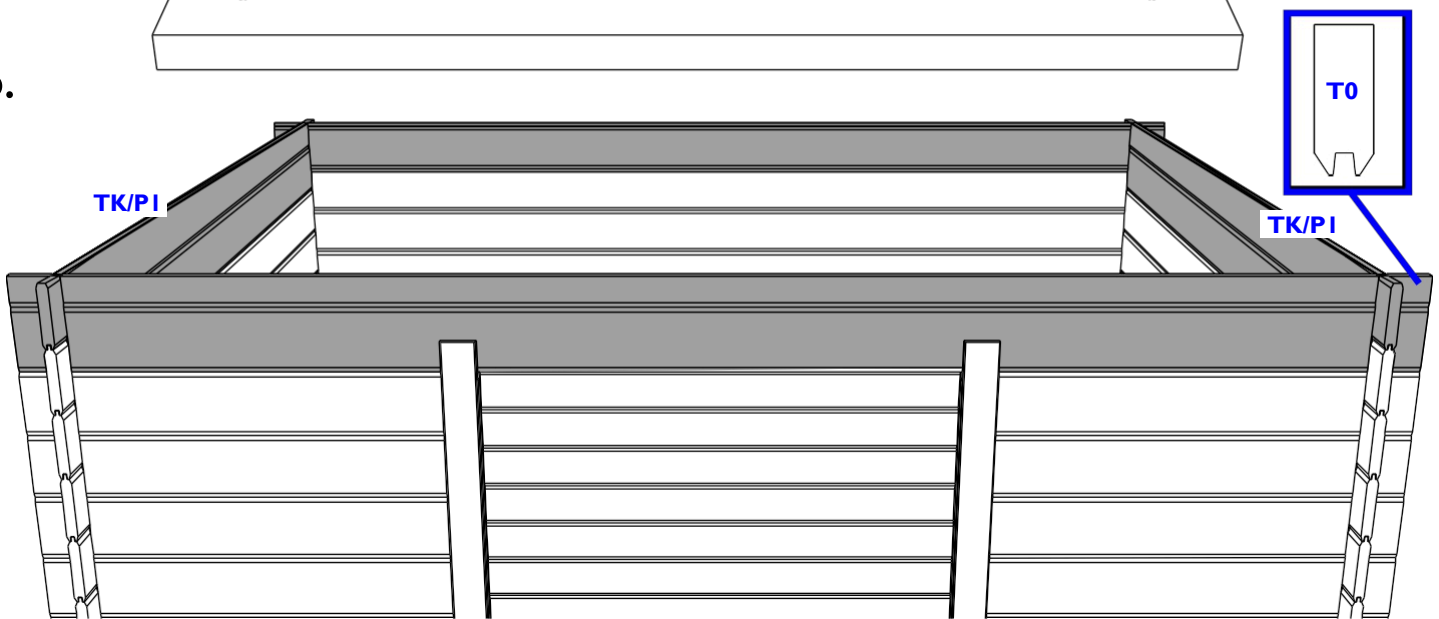
Screw = Pre-drill!
To prevent the wood from splitting when screwing, you should always pre-drill using a drill bit with a diameter equal to the diameter of the screw core.



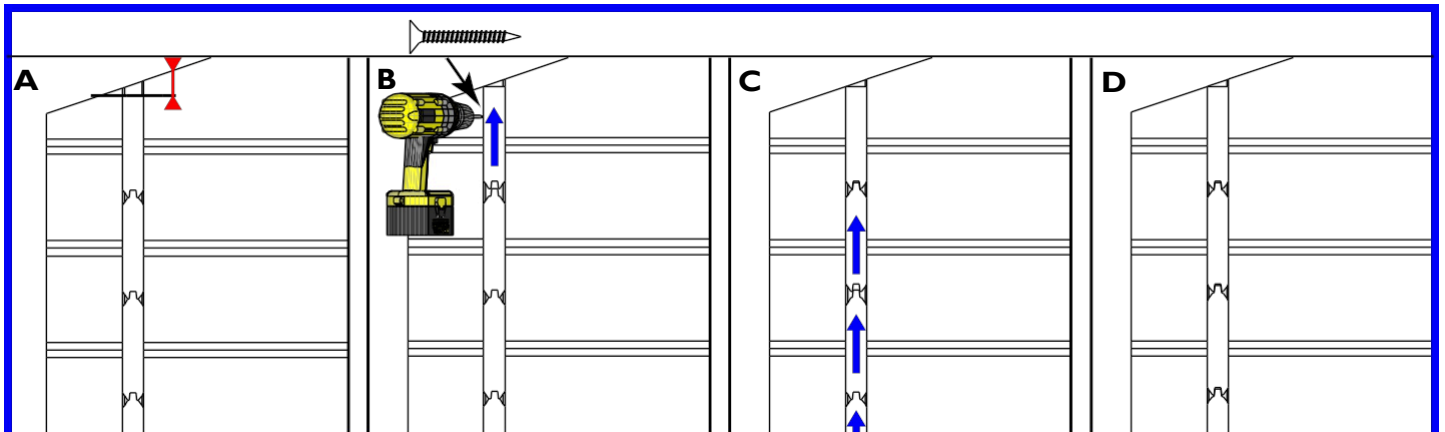
5.



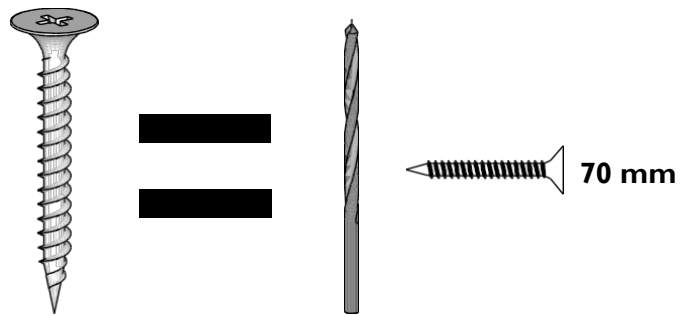
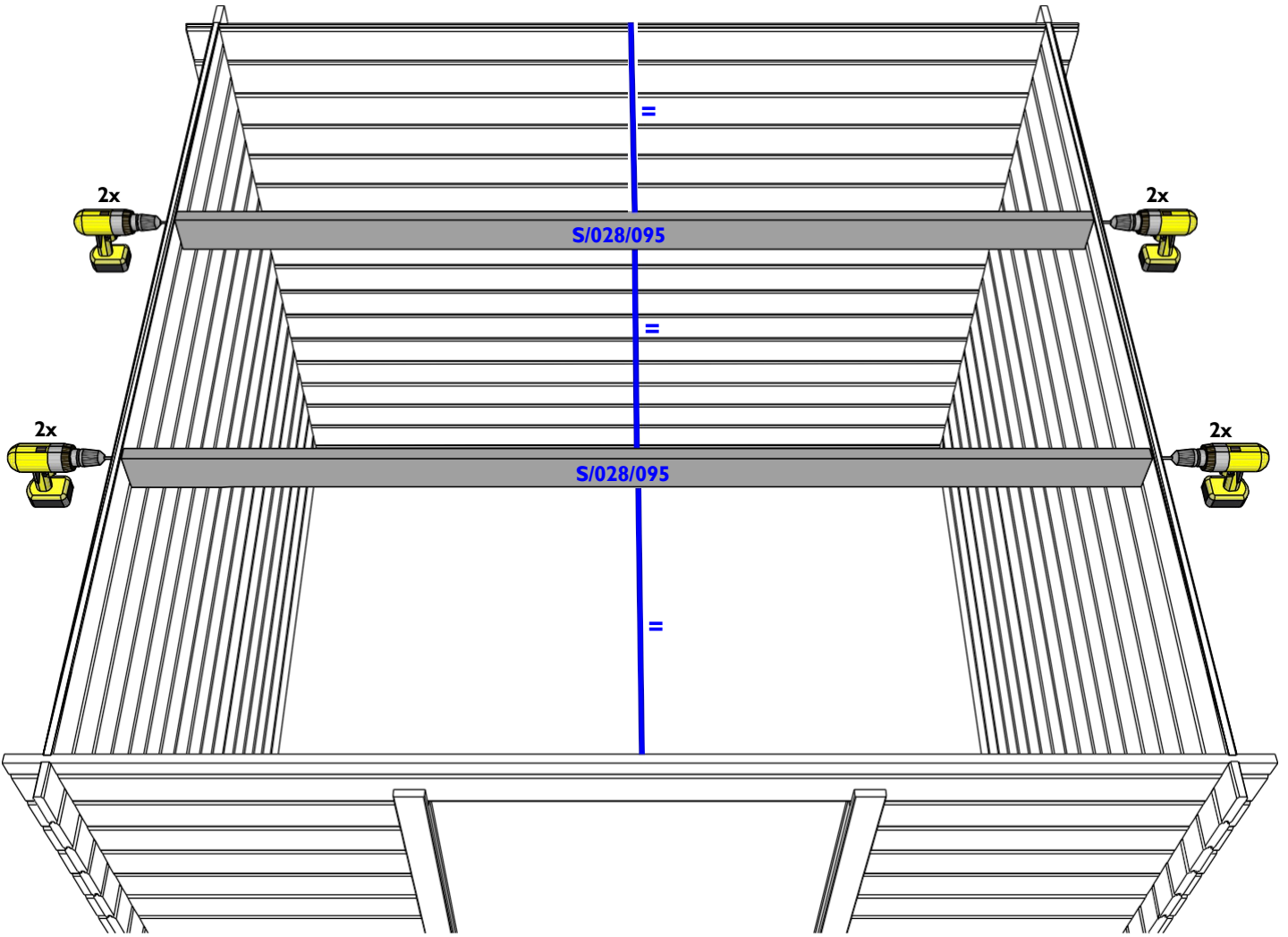
6.



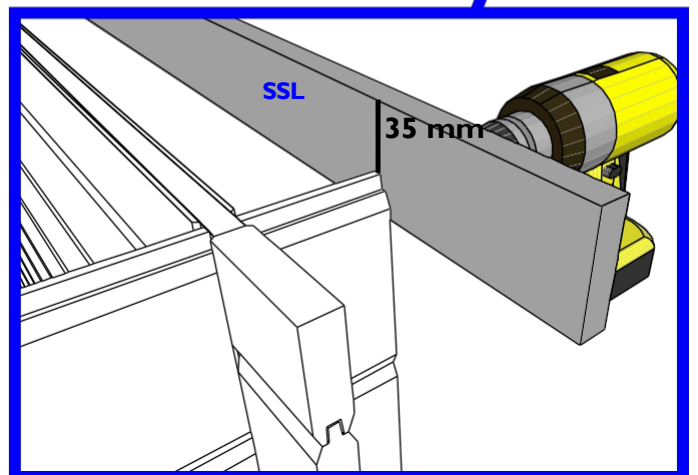
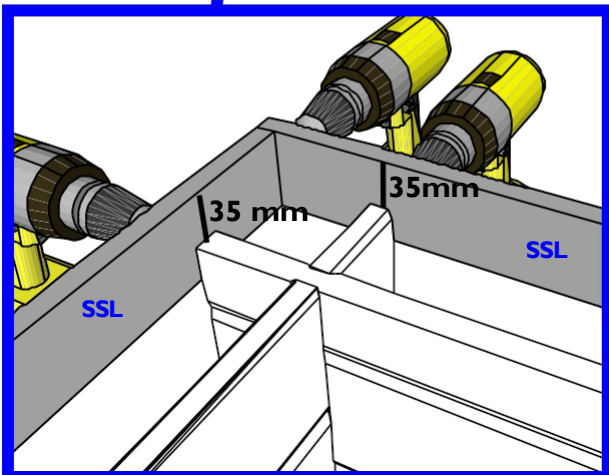
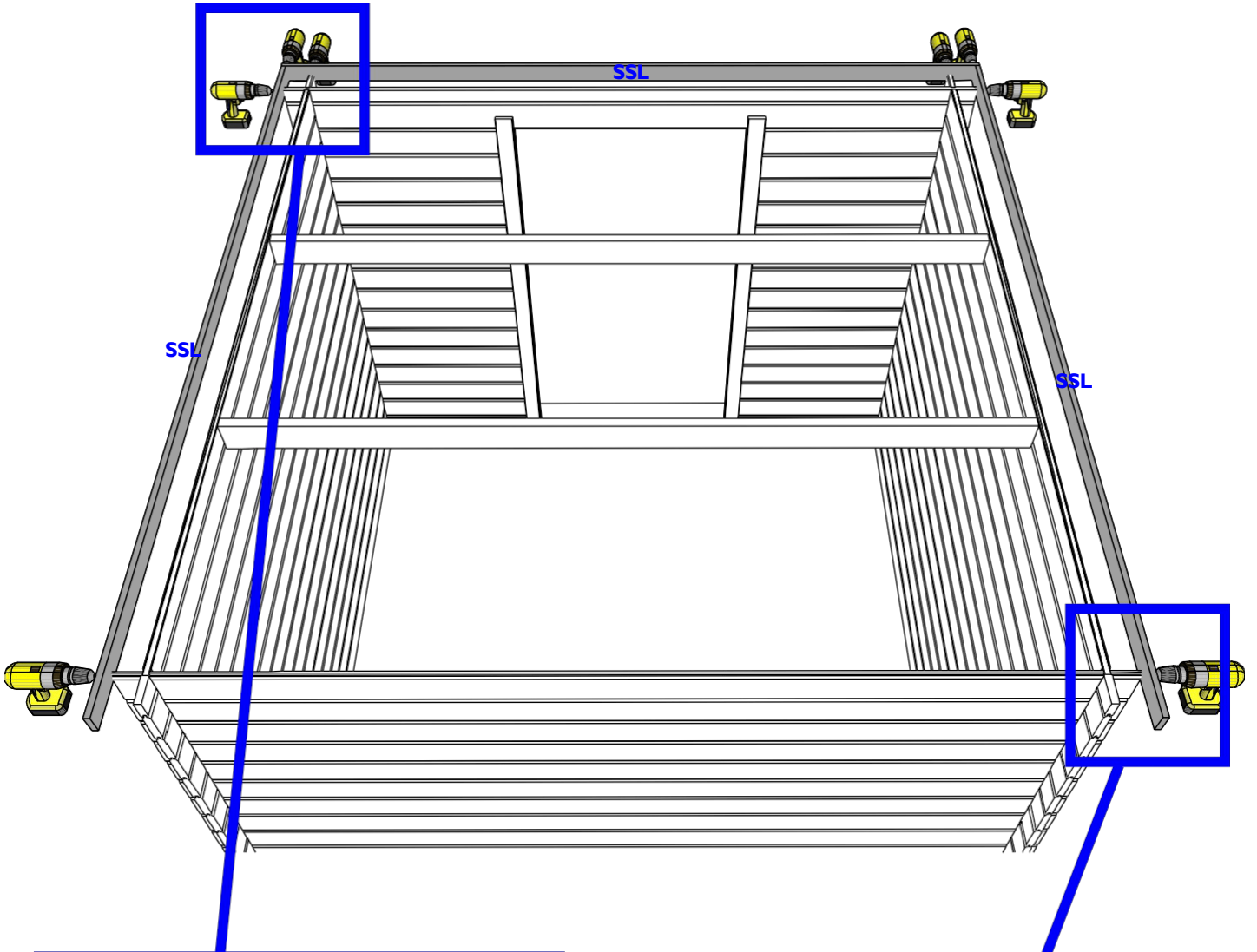
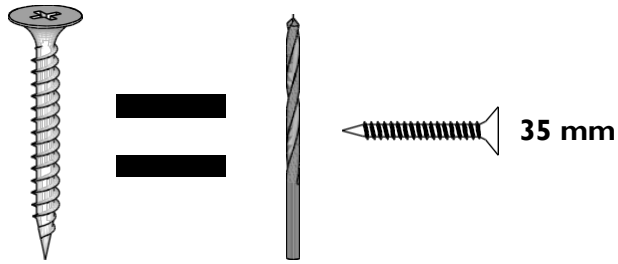
If there are height differences between the walls, check that the logs fit properly. To compensate for a height difference (detail A) align the top log with the gable and screw them together (detail B). Now, gently tap the lower logs up one by one (detail C) to distribute the gap evenly across all the logs (detail D).



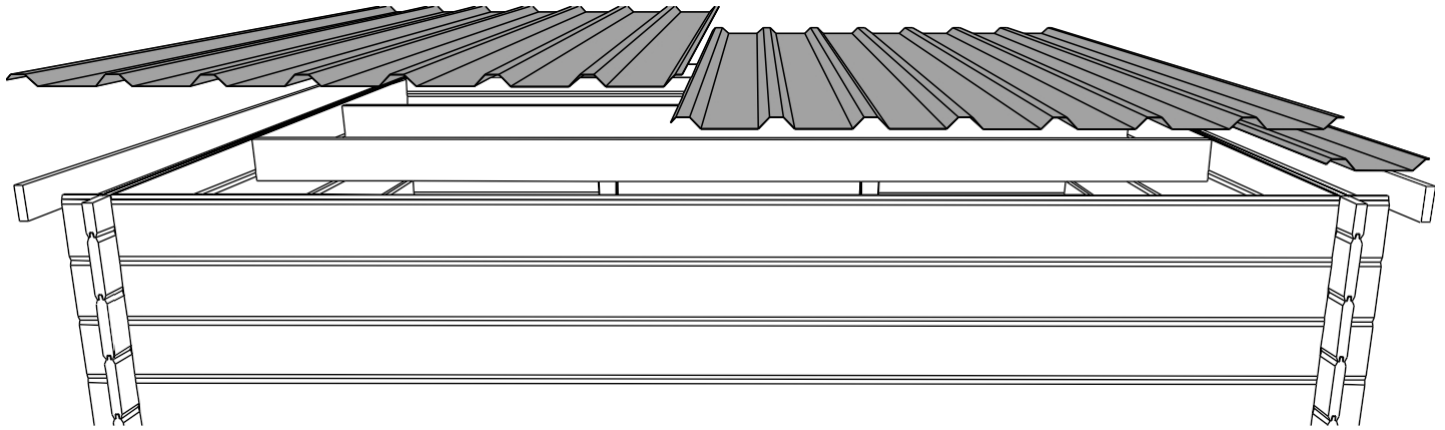
7. Distribute all roof rafters S/028/095 symmetrically across the depth of the log cabin! The number of roof rafters may vary depending on the model.



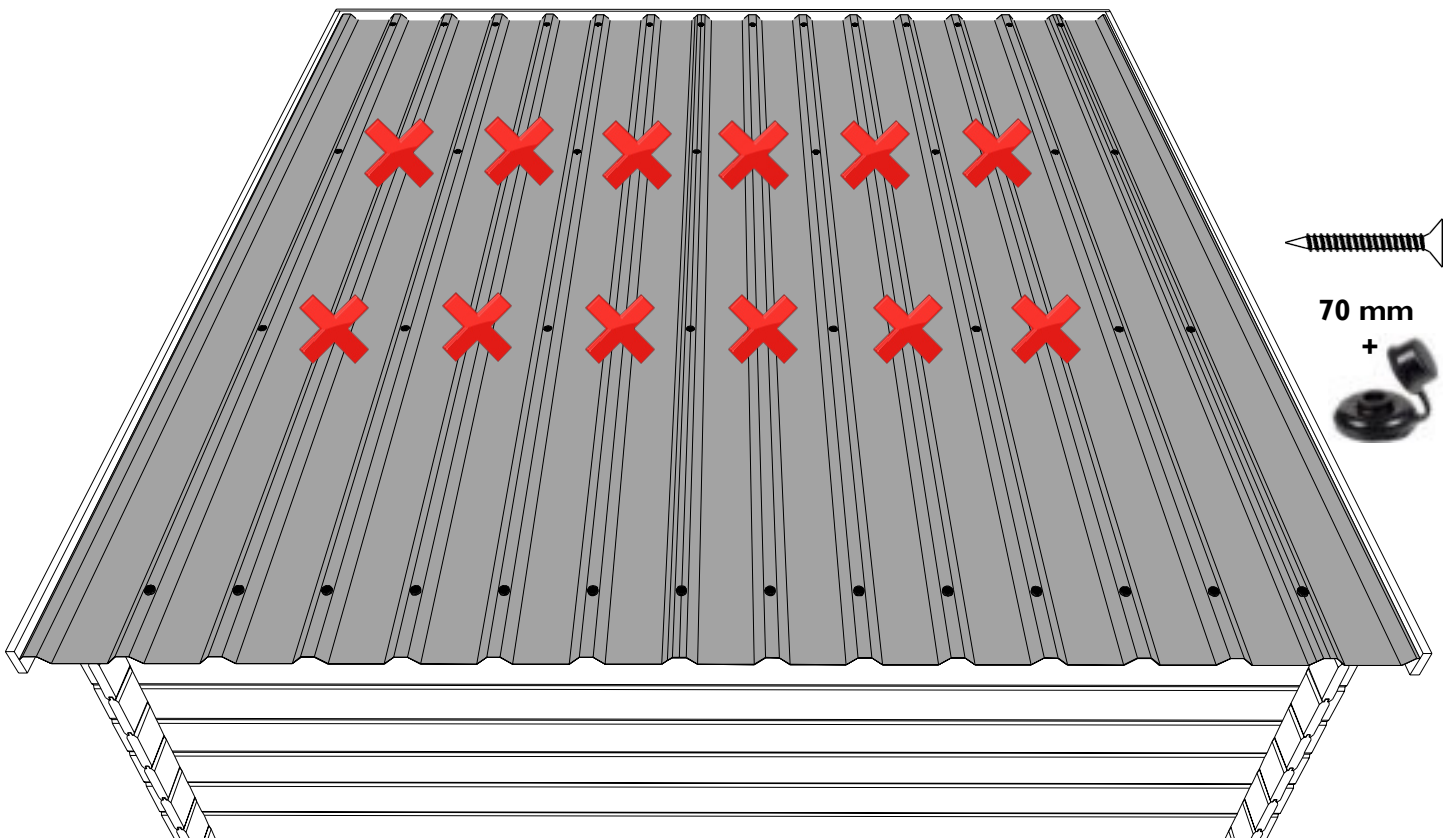
8. Now fit the SSL decorative battens. Fit each one 35 mm higher than the parallel wall.



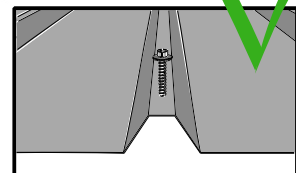
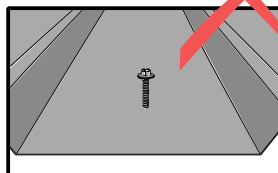
9. Distribute all PPD2 roof sheets evenly across the full width and do not secure them yet. Mark the position of the roof rafter(s) and walls with a pencil. The number of roof sheets may vary depending on the model.



10. Check that the sheets are properly aligned and pre-drill with a 5 mm steel drill bit. **Caution!** Always drill through the corrugation and never through the flat part of the sheet. Don't forget to remove the iron filings from drilling to prevent rust stains.

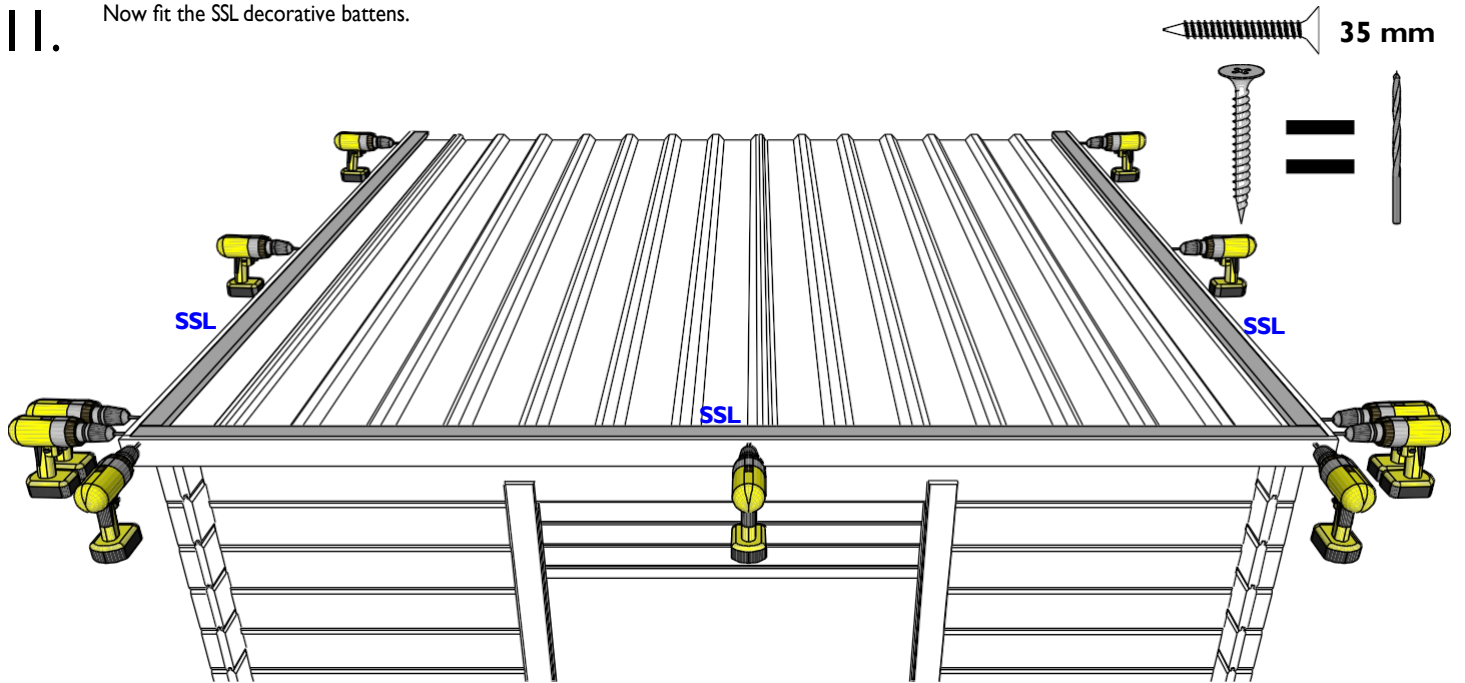


X = Do not drill or screw.



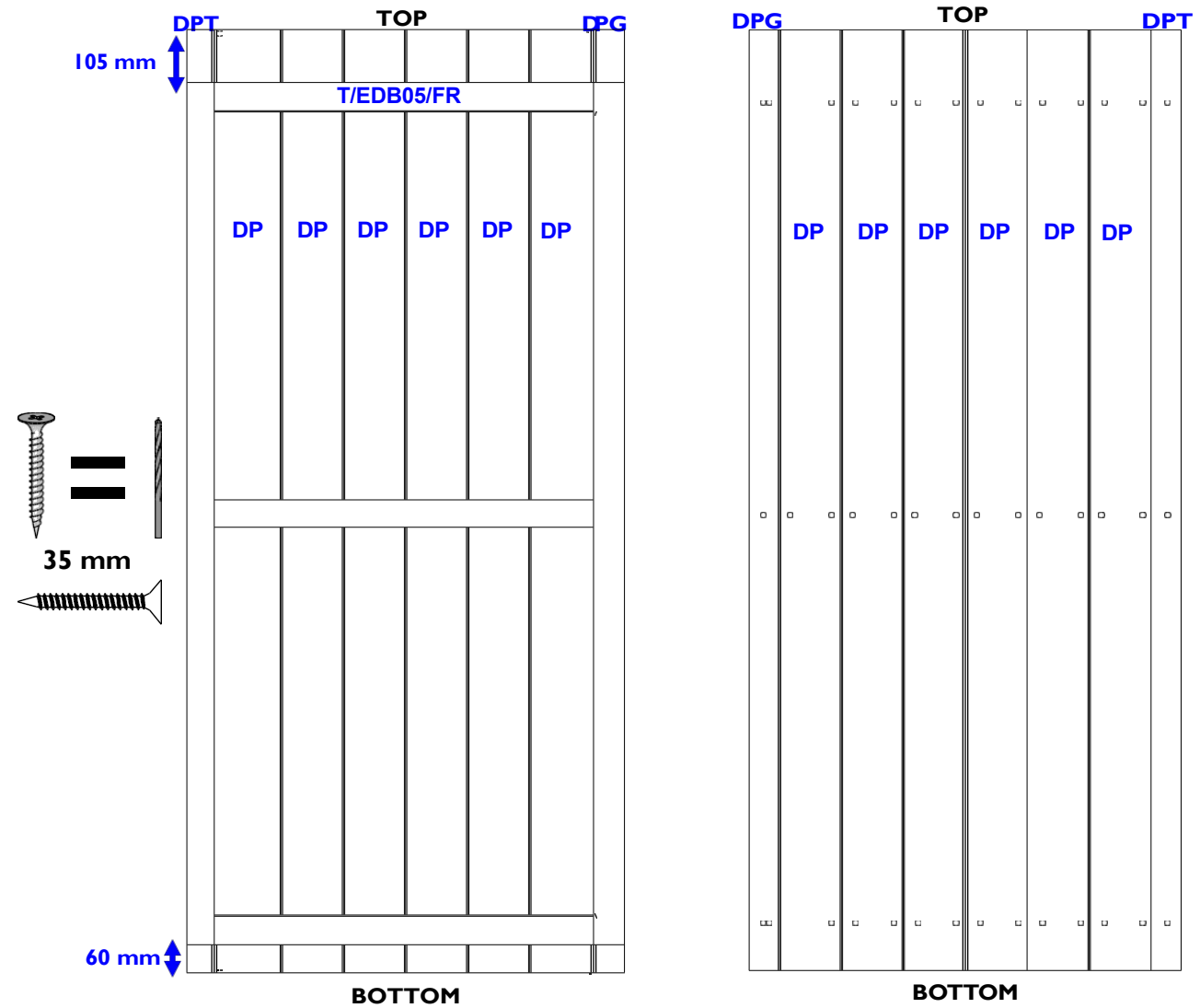
11.

Now fit the SSL decorative battens.

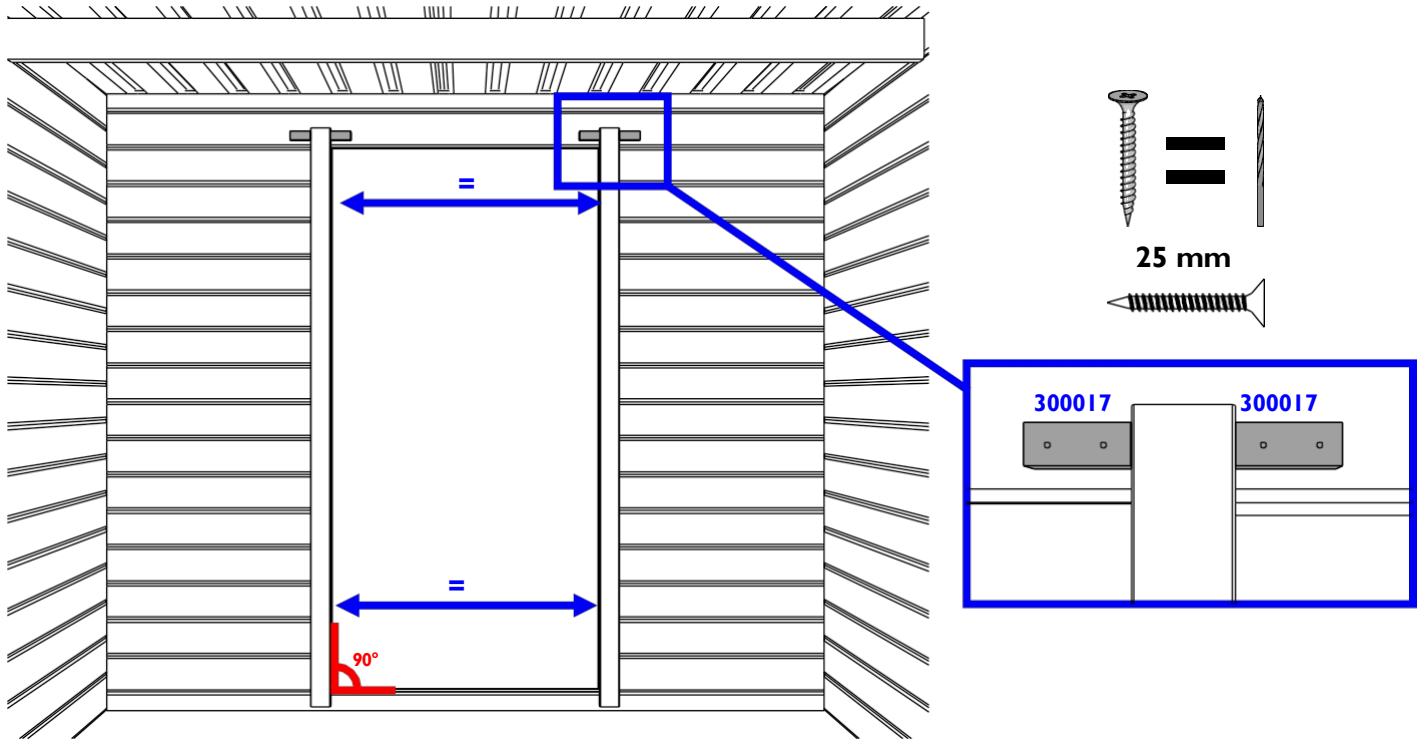


12.

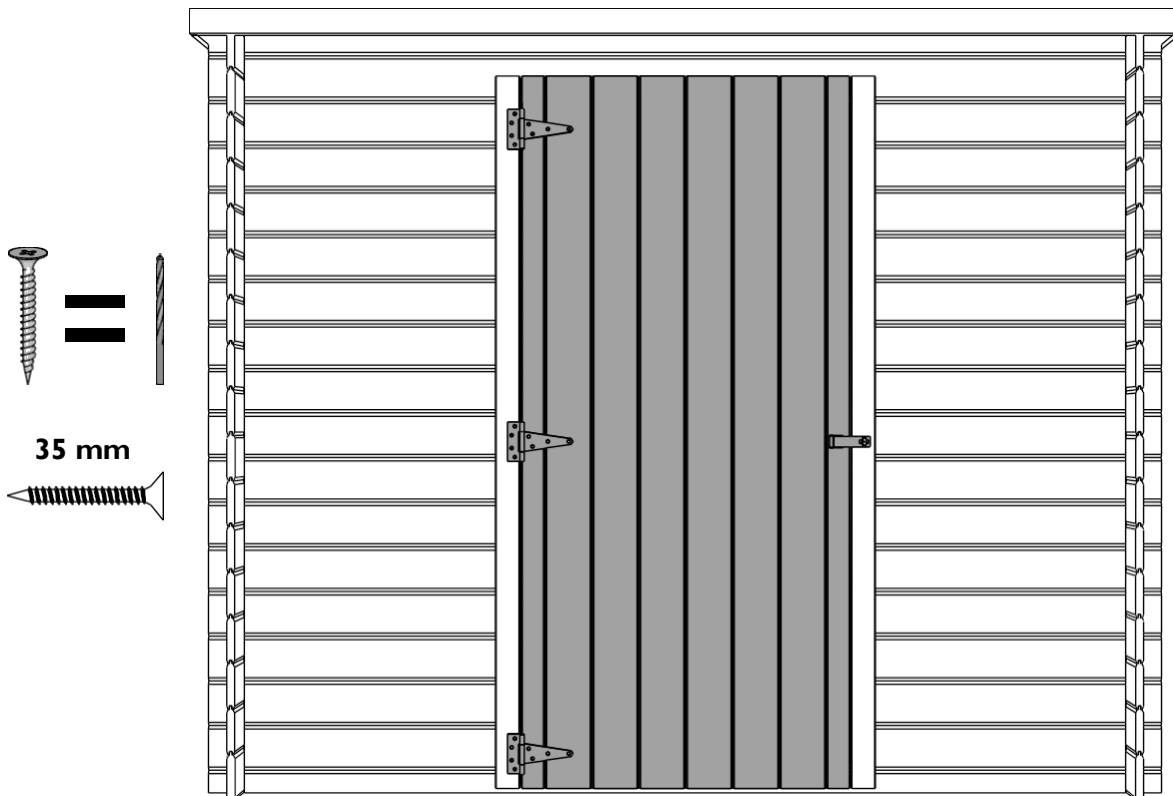
Fit the small boards to the door frame. Fit the 2 outer half-boards and distribute the others symmetrically across the full width.



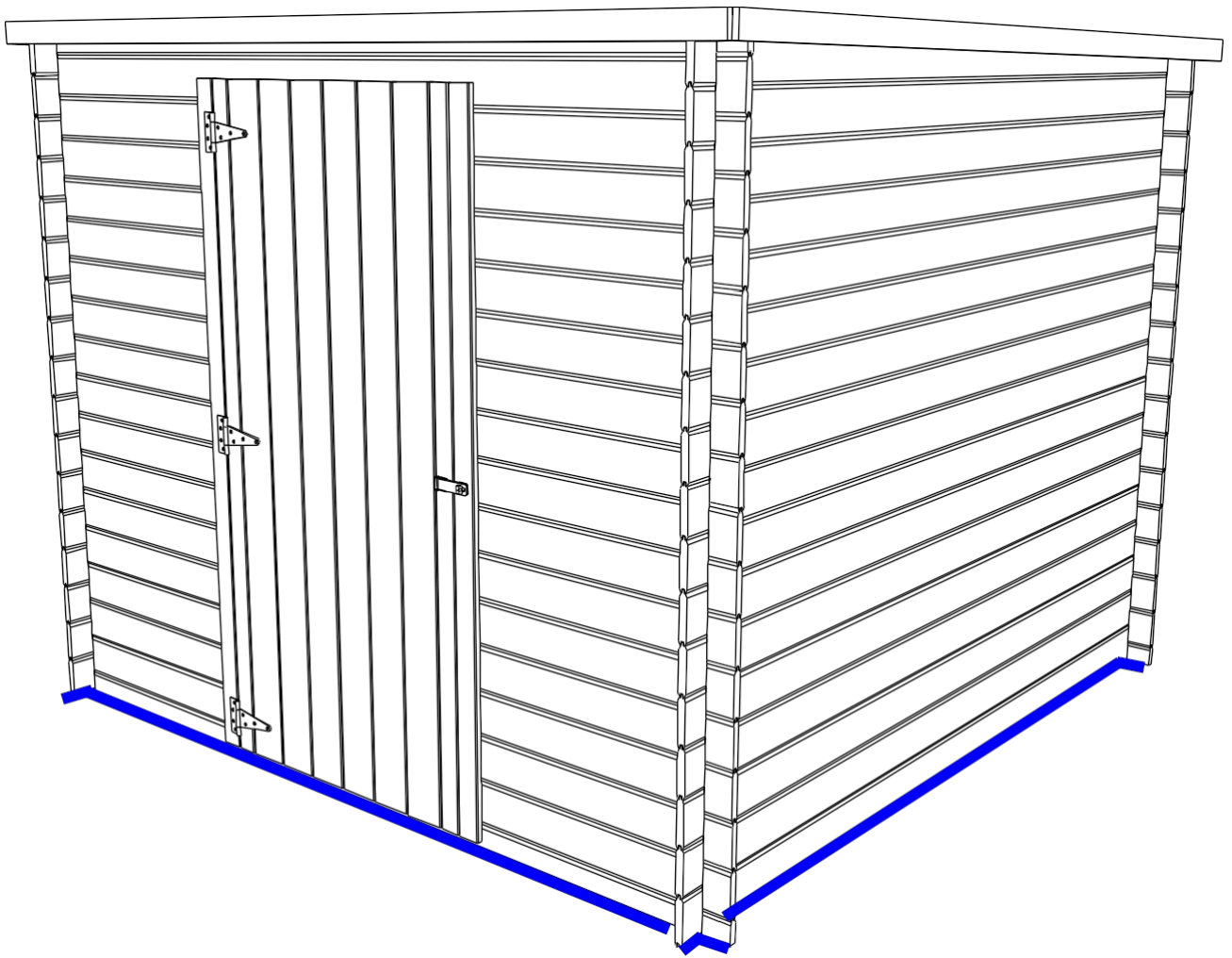
13. Place 4 blocks 300017 at the top next to the frame and screw them to the log cabin so that your door frame is nicely vertical. **Never** screw the door frame itself to the top of the log cabin in such a way that the wood can still move.



14. Now mount the door and ensure everything is square. Position the hinges 300004 at the same height as the horizontal beams of the door frame. Finally, install the lock 300015.



15.



Seal the following areas with silicone (not supplied):

- The joint between the log cabin and its base on the outside.
- If you have condensation issues, you may need to install an insulation sheet to prevent this.



To make your log cabin storm-resistant, you will need to install storm bracing. This connects the roof and walls to the base. So make sure it is properly secured to the ground. Always ensure that you do not obstruct vertical shrinkage and expansion (see 'Wood lives'). Gardenas dealers sell our standard storm bracing. An alternative is to attach a screw to both the top and bottom logs and stretch a nylon cord between them. In any case, you must ensure that the force of the storm bracing does not cause the wall to bulge. If this were to happen, you must adjust the bracing.

Maintenance: water, wind, snow and sun are the main enemies to your log cabin. Ask a specialist for advice if you have any questions about products, timing, etc. regarding the treatment.

Product liability applies only if the log cabin has been assembled in full compliance with these assembly instructions.

WARRANTY

The product is made of wood, a natural product that, due to its outdoor placement, will continue to "live" and therefore requires ongoing attention. Assembly, treatment and anchoring will be carried out by or on behalf of the customer. Gardenas is therefore responsible for and provides a warranty on the product and its components themselves, but not for the consequences of incorrect assembly, missing or inadequate anchoring, or incorrect or inadequate maintenance.

How long?

Unless otherwise stated, Gardenas offers a 5-year warranty on its products. Fittings and roofing are covered by a 2-year warranty. Products sold as pressure-impregnated are covered by an extended 10-year warranty against rot, mould and insect damage to the wooden parts.

The warranty period starts from the date of purchase.

What is covered by the warranty?

- The structural design of the product for safe and normal use.
- The correctness of the parts in terms of quantity and shape upon delivery. Any deviations must be reported no later than 14 days after delivery.
- The warranty is limited to the replacement of defective, damaged or unusable parts.

What is not covered by the warranty?

- Costs of (re)installation, production, assembly, treatment.
- Parts that are no longer in their original condition.
- Defective parts that were installed anyway.
- Minor deviations from the natural material, whether or not specified in the manual, which do not compromise the stability and expected lifespan of the product (e.g. knots, cracks, discolouration, slight deformations that can be assembled and will have no impact after assembly or will be invisible after assembly, etc.).
- Damage, deformations or defects resulting from ignoring to strictly follow the advice and instructions in the product manual and/or incorrect or careless use of the product, as well as damage caused by poor foundations.
- Damage and degradation and their consequences due to inadequate treatment of the product.
- Damage caused during transport and storage, whether or not due to extreme humidity, if transport and storage were not carried out under Gardenas' management.
- Damage caused by third parties, animals, insects (except if the product was delivered pressure-impregnated) and termites.
- Natural ageing or discolouration of the product.
- Damage caused by a roof load (e.g. snow) of more than 50 kg/m².
- Direct or indirect damage to items and materials stored in or under the product.
- Consequences of force majeure: storms, natural disasters, floods, vandalism, etc.

Parts availability and delivery

Gardenas guarantees the availability of all parts or a valid alternative for each part for up to 5 years after purchase of the product, regardless of whether the part is still under warranty or not.

Gardenas will make every effort to provide any replacement parts as quickly as reasonably possible. Gardenas will deliver the parts in the same manner and to the same location as it delivered the original product.